

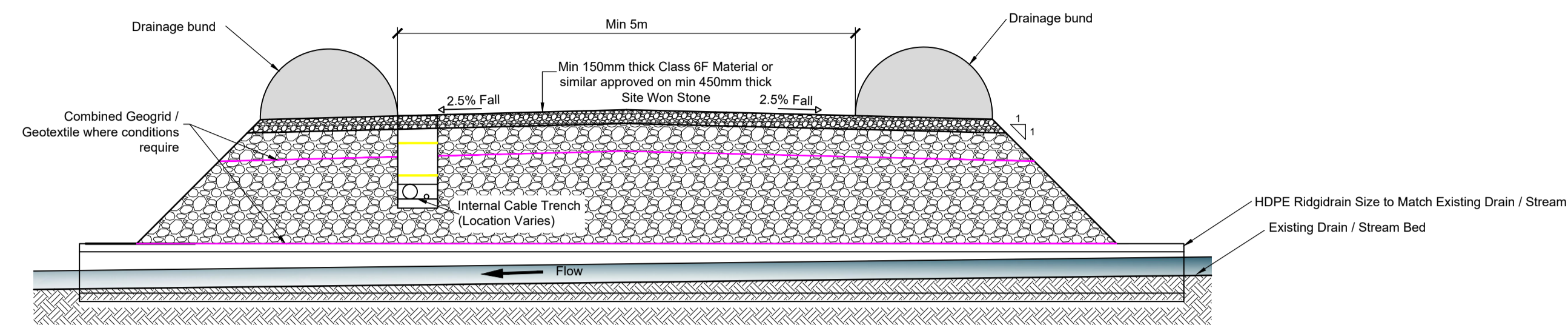
DO NOT SCALE FROM THIS DRAWING. USE FIGURED DIMENSIONS IN ALL CASES. VERIFY DIMENSIONS ON SITE AND REPORT ANY DISCREPANCIES TO THE DESIGNERS IMMEDIATELY.  
THIS DRAWING IS TO BE READ IN CONJUNCTION WITH THE DESIGNERS SPECIFICATION.  
© THIS DRAWING IS COPYRIGHT AND MAY ONLY BE REPRODUCED WITH THE DESIGNERS PERMISSION.

NOTES:

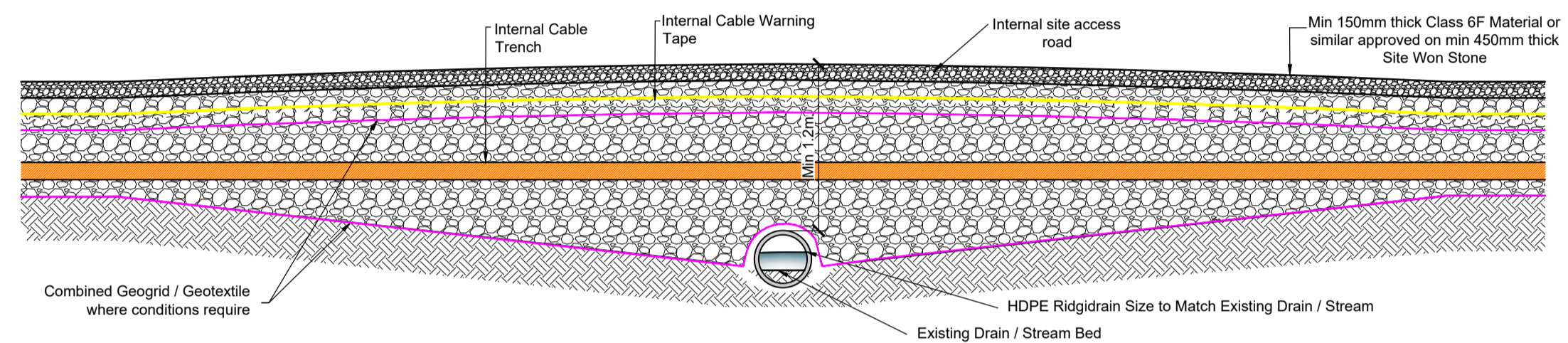
1. ALL DRAWINGS ARE TO BE READ IN CONJUNCTION WITH ALL RELEVANT SPECIFICATIONS, BILLS OF QUANTITIES, ARCHITECTURAL, SERVICES AND ENGINEERING DRAWINGS.
2. ALL LEVELS ARE IN METRES RELATED TO ORDNANCE DATUM MALIN HEAD.
3. ANY DISCREPANCIES BETWEEN THESE DOCUMENTS SHALL BE BROUGHT TO THE ATTENTION OF THE ENGINEER.
4. DRAWINGS ARE NOT TO BE SCALED.
5. ALL DIMENSIONS ARE IN MILLIMETRES, UNLESS NOTED OTHERWISE.
6. THE FINALISED LAYOUT MAY BE SUBJECT TO MICRO-SITING DUE TO UNFORESEEN GROUND CONDITIONS. THE EXTENT OF FLEXIBILITY WILL BE SITE SPECIFIC AND SHOULD GENERALLY NOT EXCEED BEYOND 20 METRES.

REFERENCE DRAWINGS:

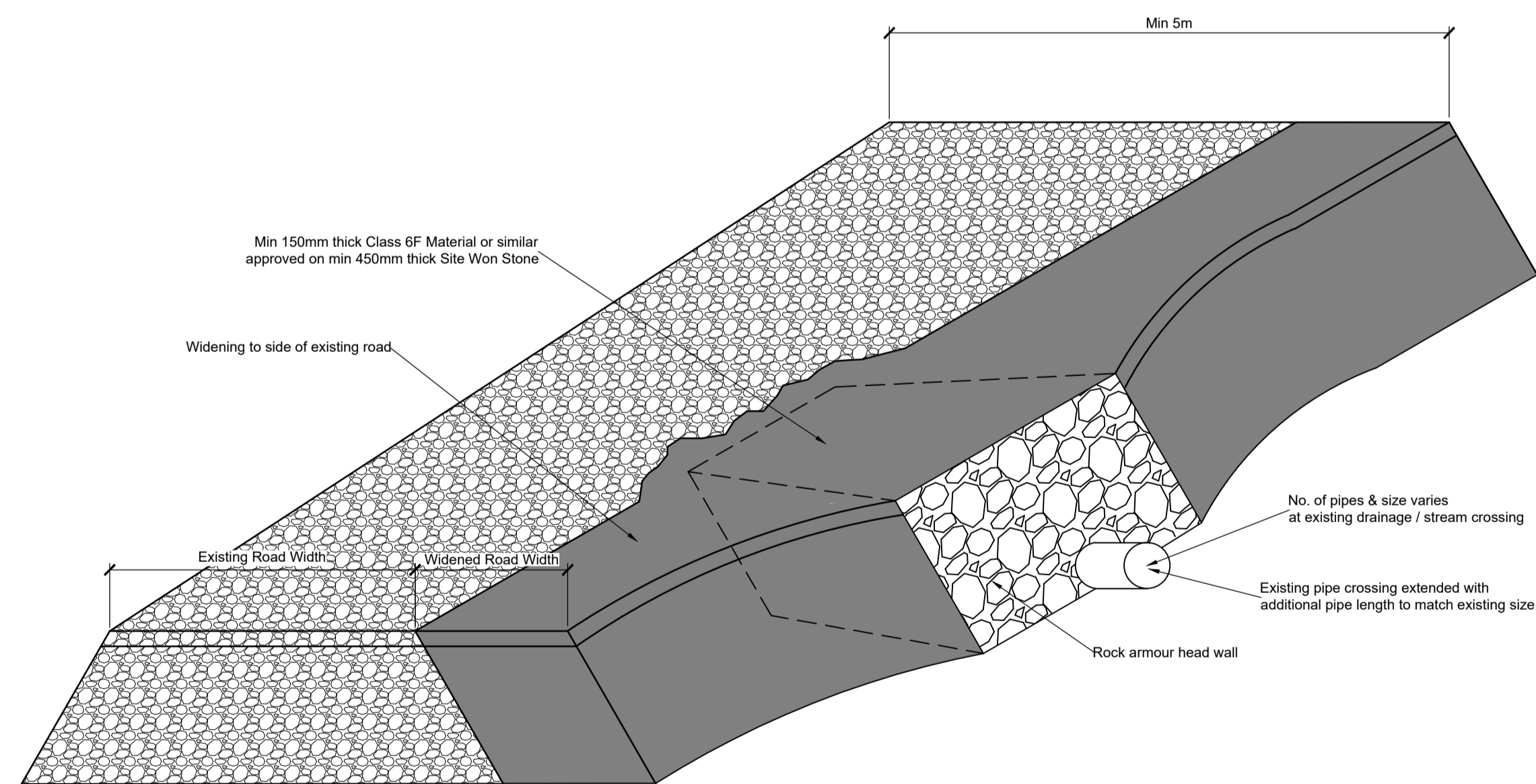
DRAWING No.	
19876-MWP-00-00-DR-C-5005	Proposed Site Layout - Master Sheet
19876-MWP-00-00-DR-C-5011	Proposed Site Drainage Layout - Master Sheet



Typical Land Drain / Stream Crossing Detail - Longitudinal Section Scale 1:50



Typical Land Drain / Stream Crossing Detail - Cross Section Scale 1:50



Typical Widening Detail of Existing Land Drain / Stream Crossing Detail Scale 1:50

REV	DATE	Issued For Planning	DESCRIPTION	JK	XF
P01	14/01/2021				

PROJECT: Shronowen Wind Farm

TITLE: Drainage Details - Sheet 2

CLIENT: Shronowen Wind Farm Limited

**Malachy Walsh and Partners**  
Engineering and Environmental Consultants  
Cork | Tralee | London | Limerick

Reen Point,  
Blennerville,  
Tralee,  
Co. Kerry,  
V92 X2TK

Tel: +353 (0) 66 7123404  
Fax: +353 (0) 66 7125586  
E-mail: [tralee@mwp.ie](mailto:tralee@mwp.ie)  
Web: [www.mwp.ie](http://www.mwp.ie)

DRAWN: JK CHECKED: PC APPROVED: PC

DATE: September 2020 SCALE @ A1: As Shown

PROJECT NUMBER: 19876 DRAWING STATUS: S2

DRAWING NUMBER: 19876-MWP-00-00-DR-C-5405 REV: P01